

Installation Guide

Screens



Contents

Suspended Top & Base	3
Direct Fixed Base	4
Sliding System	5

Suspended Top & Base

Tools & hardware:

- 4x (8G x 40mm) screws
- 4x (8G x 25mm) screws
- Drill
- Level bar
- Tape measure
- Pliers
- 2 x wing toggle plugs

Suspension Kit

- 4 x U-Clips 12mm
- 8 x adjustable cable grippers with wire

Steps:

1. Measure and mark out the location of U-Clips for the top of the screen at 150mm from each end of the Screen (fig a). Attach the U-Clips to the top of the screen and secure with a screw. We recommend that you dip the screw into construction adhesive for maximum strength.
2. Use the location of the U-Clips on the Screens as a reference point to mark out the corresponding locations on the ceiling surface.
3. Using a drill, screw the required number of holes into the ceiling surface and insert corresponding toggle plugs.
4. Un-screw the base of the adjustable cable gripper and screw into the toggle plugs.
5. Use a screw to attach the adjustable cable gripper to the top of the U-Clip on the Screen. Insert the wire end into the adjustable cable gripper connected to the Screen by depressing the nozzle to allow cable insertion, and release when desired length is met (fig b). Cut any excess wire.

6. Thread the same wire into the adjustable cable gripper connected to the ceiling by depressing the nozzle, and releasing when the desired length is met (fig b).
7. Screw the ceiling adjustable cable gripper into its base, measure the wire length and make any last changes to the wire tension. Your Screen should now be suspended from the ceiling.
8. Repeat this process using the remaining U-Clips, cable grippers and wire for the floor installation.

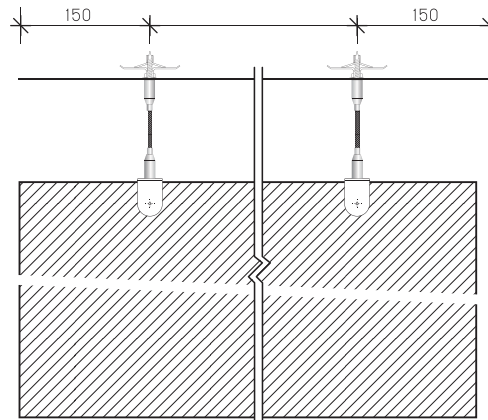


fig. a

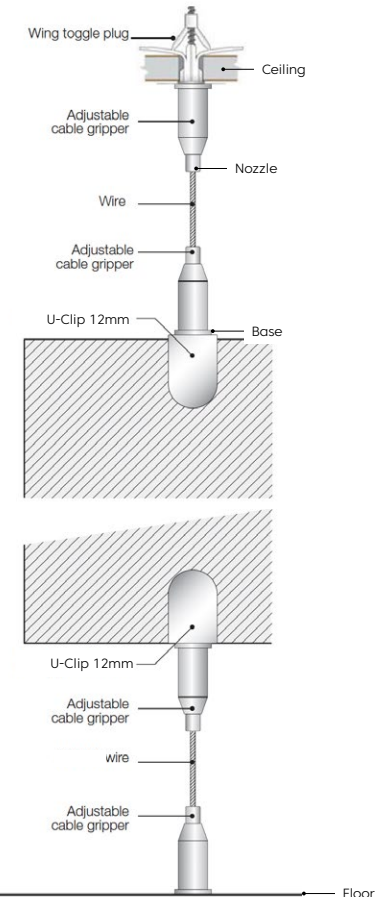


fig. b

Direct Fixed Base & Suspended Top

Tools & hardware:

- 2 x 3G screws
- 2 x (10G x 50mm) screws
- Drill
- Tape measure

Direct Fixed Kit

- 2 x C-Clips
- 4 x adjustable cable grippers with wire
- 2 x U-Clips

Steps:

1. Measure the hanging location of the U-Clips on the top of the Screen at 150mm from each end (fig a) and mark out the corresponding location on the ceiling surface.
2. Using a drill, screw the required number of holes into the ceiling surface and insert corresponding wall plugs. Un-screw the base of the adjustable cable gripper and screw into the ceiling.

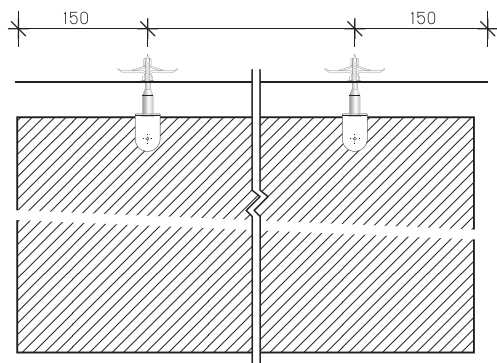


fig. a

3. Attach the U-Clips to the top of the screen and secure with the screw. We recommend that you dip the screw into construction adhesive to ensure maximum adhesion.
4. Un-screw the base of the adjustable cable gripper and use a screw to attach to the top of the U-Clip on the screen. Thread the wire through the nozzle of the adjustable cable gripper by depressing the nozzle (fig b), and threading the wire through the nozzle to the desired length.
5. Before you connect the wire to the ceiling, measure and mark out the location of the C-Clips on the bottom of the Screen at 150mm from each end (fig c), and mark out the corresponding location on the floor.
6. Screw the C-Clip to the floor and secure with screws that have been dipped in construction adhesive for maximum adhesion. Once secured, slot the Screen into the C-Clips. Your Screen should now be attached to the floor.
7. Once your Screen is attached to the floor, return to the top of the Screen to attach the wire to the ceiling. Thread the wire into the adjustable cable gripper connected to the ceiling by depressing the nozzle, and releasing when the desired length is met.
8. Screw the ceiling adjustable cable gripper into its base, measure the wire length and make any last changes to the wire tension. Your Screen should now be suspended from the ceiling.

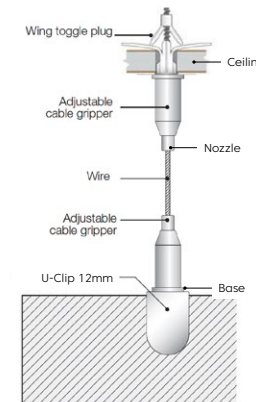


fig. b

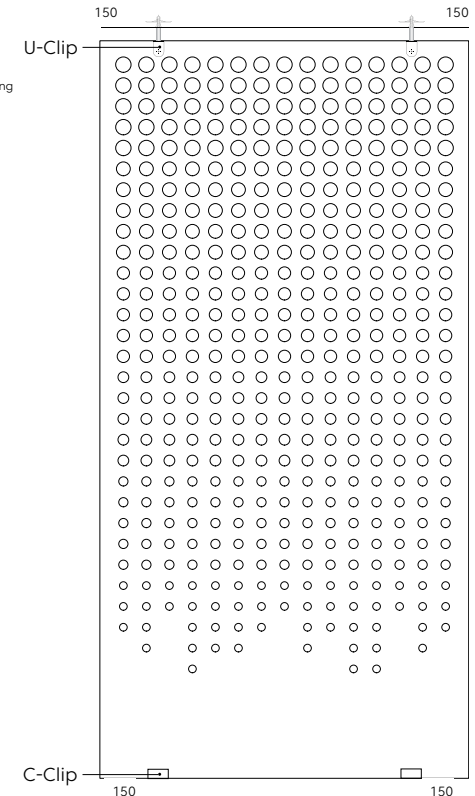
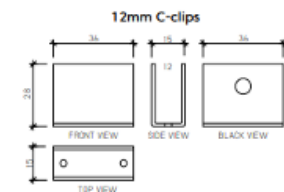


fig. c



Sliding System

Tools & hardware:

- 2 x 3G screws
- 2 x 12G screws
- 2 x wing toggle
- Drill
- Tape measure

Sliding Rail Set

- 2 x hanging wheel sets
- 1 x rail

Steps:

1. Prepare the ceiling mounting surface for installation by marking the position of the rail that the Screen will be hung to. Drill holes into the ceiling where the rail will be attached and insert corresponding wing toggles.
2. Secure the rail into the ceiling via the wing toggles. Ensure the screw is flush in the groove and doesn't impede the movement of the hanging wheel set.

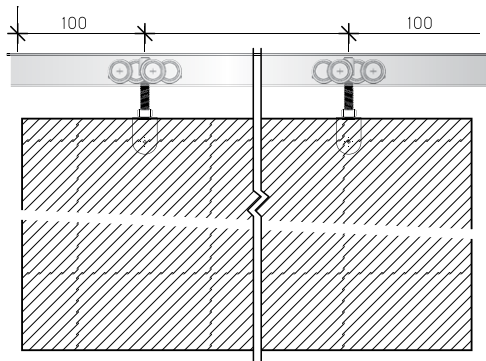


fig. a

3. Measure and install the U-Clips to the top of the Screen, 100mm in from each edge of the Screen (fig a). Use a screw to fix the U-Clip to the screen. We recommend that you dip the screw into construction adhesive to ensure maximum adhesion.
4. Attach U-Clip to the hanging wheel set using the bolt and nut (fig b). Lift the Screen up to the ceiling and insert into the hanging wheel set. The Screen should now be able to slide along the rail.
5. Install the fitting stopper at the end of the rail.

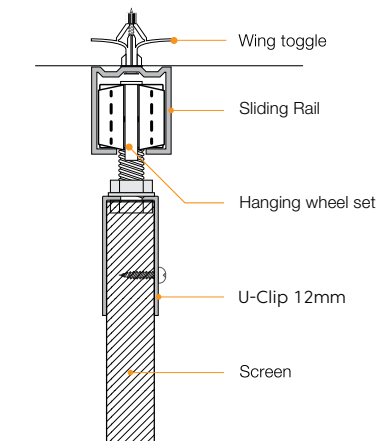


fig. b

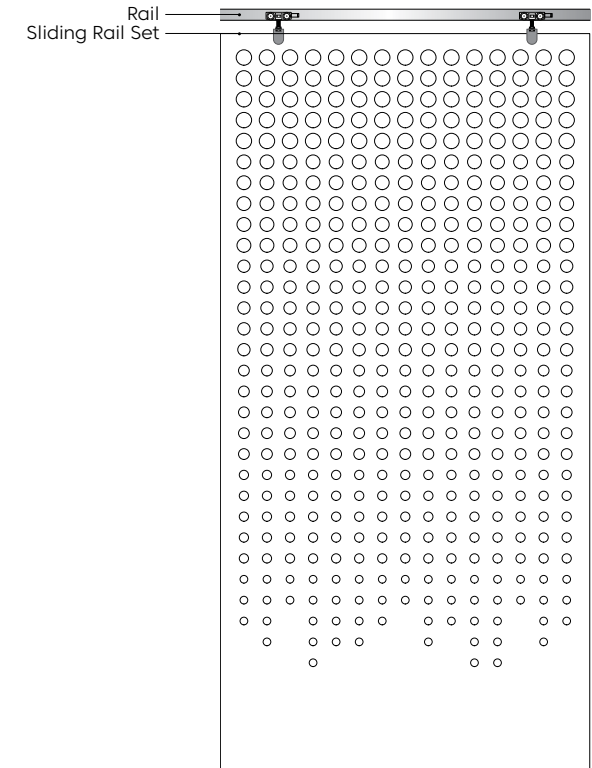


fig. c