

Clouds

The Cloud collection is available in 3 shapes: Rectangle, Hexagon and Circle, and offered across our full range of colors. Acoufelt ceiling clouds achieve a minimum Noise Reduction Coefficient (NRC) of 0.60, which increases with material thickness, installation, aerial positioning and configuration. Acoufelt ceiling clouds are comprised of FilaSorb™, contributing to both the acoustic performance of the cloud, as well as the smooth surface finish.

FILASORB™

FilaSorb™ is made from a substantially heterogeneous blend of fine fibers; different denier combined for specific acoustic results. This combination of fine fibers results in a high active surface area for sound absorption, enhanced resistivity, and a greater interface area for dispersion of noise. This means that products made from FilaSorb™ have been designed for superior acoustic performance.

Key features:

-  Made from FilaSorb™
-  Breathable
-  High resistance to fire
-  Smooth surface finish
-  Thermal efficiency
-  Certified low VOC
-  10 year lightfastness warranty
-  Made with recycled content
-  Custom available

Specifications

Surface	Ceiling	
Composition	100% polyester	
Material	FilaSorb™	
Recycled Content	60% min.	
	METRIC	IMPERIAL
Weight	4800 g/m ² +/- 10%	0.98 lb/ft ² +/- 10%
Cloud Size		
Circle	1,200 x 1,200mm	47" x 47"
Rectangle	1,200 x 1,800mm	47" x 71"
Hexagon	1,200 x 1,385mm	47" x 55"
	24mm +/- 10%	0.94" +/- 10%
Fire Testing	AS ISO 9705: 2003 Group 1 ASTM E84-17a Class A	
Indoor Air Quality	Low VOCs emission, formaldehyde and Phenol-free	
Light Fastness	ISO 105-B02 1994, 6-7	

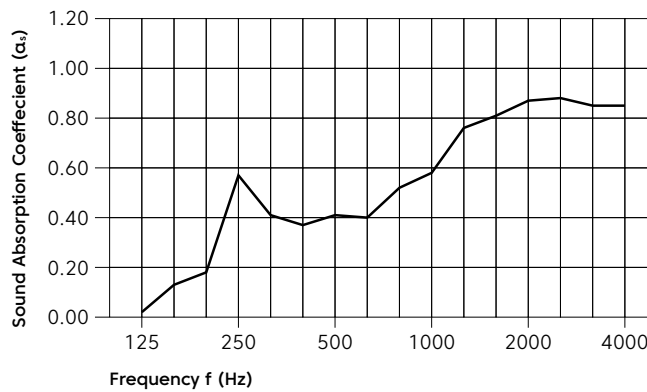
Environmental

'Declare' certification, LCB Red List Free, free from phenol and formaldehyde, low VOC, CDPH compliance, USGBC accredited and recognised under LEED.



Acoustic Performance

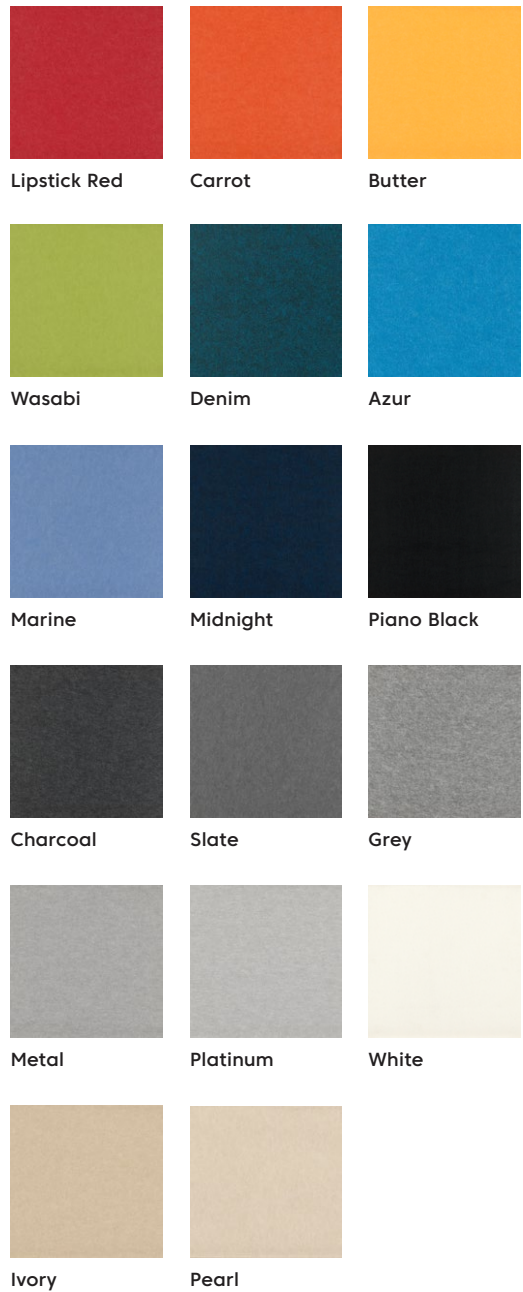
Sound Absorption Material NRC 0.60
ISO 354-2006



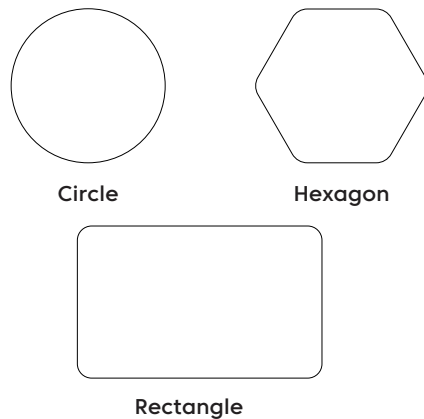
*Graph not to scale.

Frequency (Hz)	125	250	500	1000	2000	4000	NRC
αs	0.02	0.57	0.41	0.58	0.87	0.85	0.60

Colors



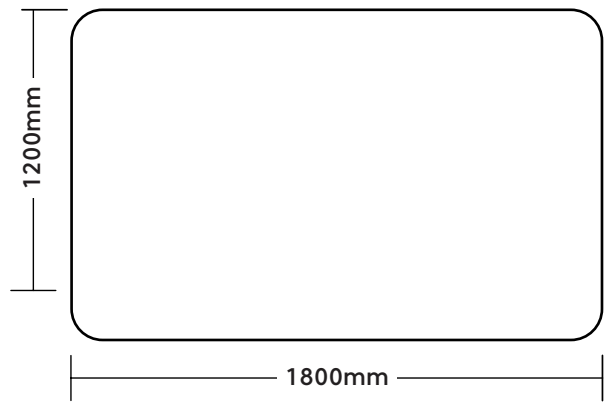
Cloud Shapes



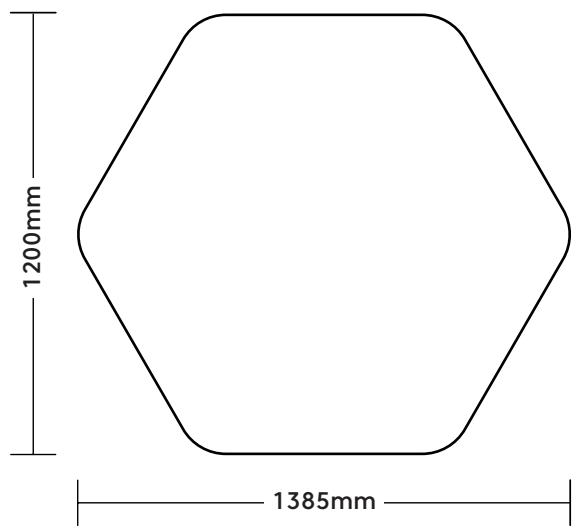
For further product information visit acoufelt.com

Specifications are based on average from normal manufacturing tolerances, such variations do not impact product performance. We reserve the right to improve the specification of the product without prior notice. Acoufelt strives to fulfill the needs of its customers by producing the highest quality felt products. However due to the fine, fibrous and textural nature of the product, slight visual imperfections may be seen when viewing the product from less than 1 to 1.5 meters. These slight visual imperfections, however, are within normal industry manufacturing tolerances.

Rectangle



Hexagon



Circle

