

Installation Guide

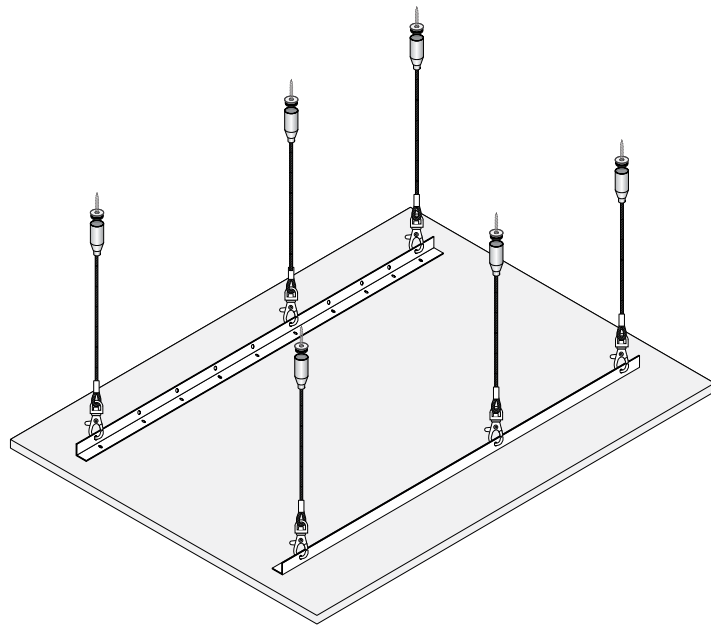
Clouds



Contents

Cloud Installation	3
Rectangle	3
Circle	4
Hexagon	5

Rectangle



Tools & hardware

- Screws
 - 10x (8G x 20mm) screws
 - 6x (8G x 40mm) screws
- 6 x wing toggle plugs
- Ladder or scaffolding
- Construction adhesive
- Drill
- Tape measure

Suspension Kit

- 2 x 1.5m length L-Channel
- 6 x adjustable cable grippers
- 6 x wire with hooks

Steps

1. Prepare the ceiling surface for installation, using available resources to fill any unwanted cracks.
2. Wearing clean gloves, remove the cloud from the packaging and lay on a flat surface. For placement of the L channel, mark out 100mm from both ends of the cloud as indicated in fig. b.
3. Place the L channels on the cloud and screw them in using a drill and 8G x 20mm screws. We recommend dipping the screws into construction adhesive before screwing into the cloud for optimum strength.

4. Measure the location of the hanging point (see fig. b) on each of the L channels now fixed to the clouds, and mark out the corresponding locations on the ceiling surface.
5. Using a drill, screw the required number of holes into the marked locations on the ceiling surface, and insert corresponding toggle plugs. You will now be ready to proceed with installing the clouds.
6. Insert the wire into the cable gripper and adjust to the desired height. Using your hand, screw the remaining part of the cable gripper to the base screwed into the ceiling.
7. Gently lift the cloud up and connect the cables to the hanging points on each channel using the snap key hook, as shown in fig. a.

Note:

- * Ensure that ceiling clouds are not installed directly under sprinklers or lighting.
- * We recommend hanging ceiling clouds at the height of 1m below the ceiling surface, unless advised otherwise.
- * Depending on the ceiling material and type of fixing, plugs and screws must be suitable for the ceiling surface and used as recommended by the manufacturer.

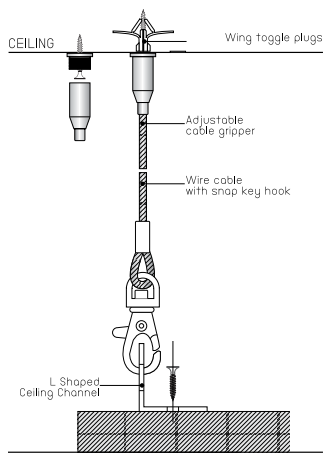


fig. a

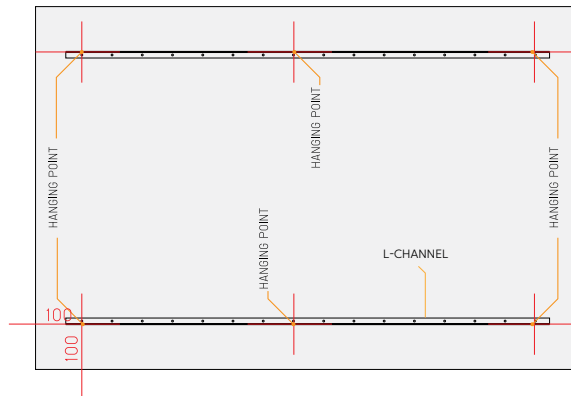


fig. b

Circle

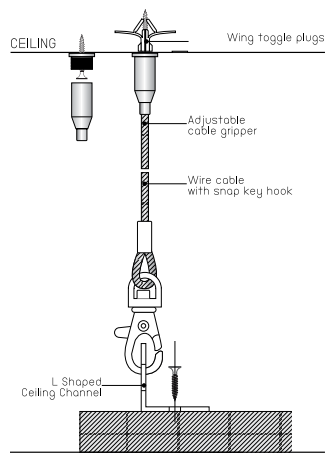
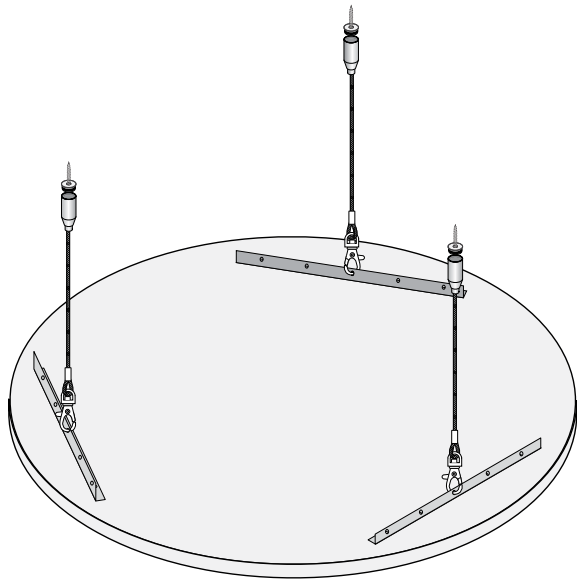


fig. a

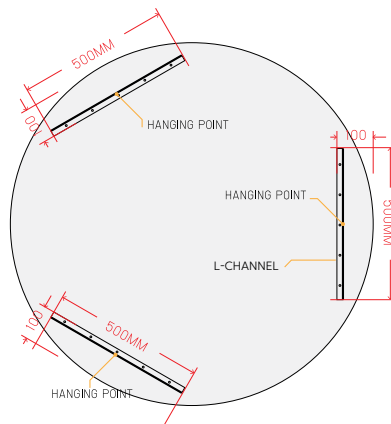


fig. b

Tools & hardware

- Screws
 - 9x (8G x 20mm) screws
 - 3x (8G x 40mm) screws
- 3 x wing toggle plugs
- Ladder or scaffolding
- Construction adhesive
- Drill
- Tape measure

Suspension Kit

- 3 x 1.5m length L-Channel
- 3 x adjustable cable grippers
- 3 x wire with hooks

Steps

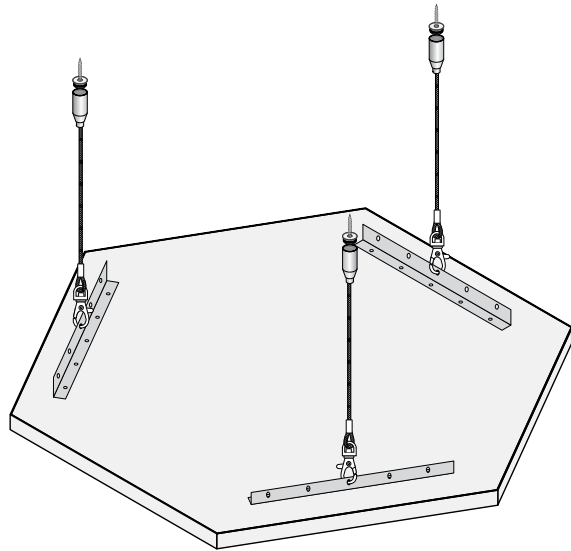
1. Prepare the ceiling surface for installation, using available resources to fill any unwanted cracks.
2. Wearing clean gloves, remove the cloud from the packaging and lay on a flat surface. For placement of the L channel, mark out 100mm from both ends of the cloud as indicated in fig. b.
3. Place the L channels on the cloud and screw them in using a drill and 8G x 20mm screws. We recommend dipping the screws into construction adhesive before screwing into the cloud for optimum strength.

4. Measure the location of the hanging point (see fig. b) on each of the L channels now fixed to the clouds, and mark out the corresponding locations on the ceiling surface.
5. Using a drill, screw the required number of holes into the marked locations on the ceiling surface, and insert corresponding toggle plugs. You will now be ready to proceed with installing the clouds.
6. Insert the wire into the cable gripper and adjust to the desired height. Using your hand, screw the remaining part of the cable gripper to the base screwed into the ceiling.
7. Gently lift the cloud up and connect the cables to the hanging points on each channel using the snap key hook, as shown in fig. a.

Note:

- * Ensure that ceiling clouds are not installed directly under sprinklers or lighting.
- * We recommend hanging ceiling clouds at the height of 1m below the ceiling surface, unless advised otherwise.
- * Depending on the ceiling material and type of fixing, plugs and screws must be suitable for the ceiling surface and used as recommended by the manufacturer.

Hexagon



Tools & hardware

- Screws
 - 10x (8G x 20mm) screws
 - 3x (8G x 40mm) screws
- 3 x wing toggle plugs
- Ladder or scaffolding
- Construction adhesive
- Drill
- Tape measure

Suspension kit

- 2 x 1.5m length L-Channel
- 6 x adjustable cable grippers
- 6 x wire with hooks

Steps

1. Prepare the ceiling surface for installation, using available resources to fill any unwanted cracks.
2. Wearing clean gloves, remove the cloud from the packaging and lay on a flat surface. For placement of the L channel, mark out 100mm from both ends of the cloud as indicated in fig. b.
3. Place the L channels on the cloud and screw them in using a drill and 8G x 20mm screws. We recommend dipping the screws into construction adhesive before screwing into the cloud for optimum strength.

4. Measure the location of the hanging point (see fig. b) on each of the L channels now fixed to the clouds, and mark out the corresponding locations on the ceiling surface.
5. Using a drill, screw the required number of holes into the marked locations on the ceiling surface, and insert corresponding toggle plugs. You will now be ready to proceed with installing the clouds.
6. Insert the wire into the cable gripper and adjust to the desired height. Using your hand, screw the remaining part of the cable gripper to the base screwed into the ceiling.
7. Gently lift the cloud up and connect the cables to the hanging points on each channel using the snap key hook, as shown in fig. a.

Note:

- * Ensure that ceiling clouds are not installed directly under sprinklers or lighting.
- * We recommend hanging ceiling clouds at the height of 1m below the ceiling surface, unless advised otherwise.
- * Depending on the ceiling material and type of fixing, plugs and screws must be suitable for the ceiling surface and used as recommended by the manufacturer.

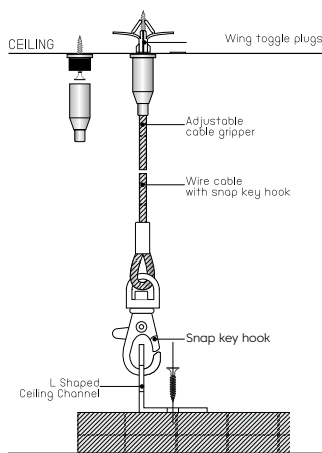


fig. a

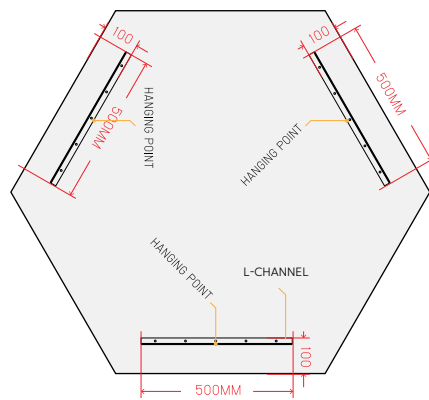


fig. b