



Solid Panel

FilaSorb™ 9

acoufelt
making quiet

Product Detail

Product	Solid Panel
Surface	Wall
Composition	100% Polyester
Material	FilaSorb™
Recycled Content	60% min.
Thickness	9mm 0.35" +/- 10%
Weight	0.37 lb/ft ² +/- 10%
Dimension	48"W x 110"H Custom size available upon request.

Technical Data

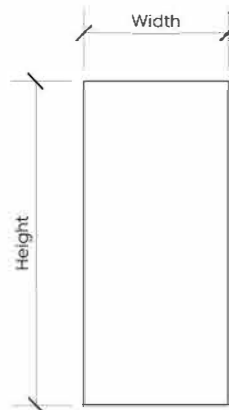
Fire Test Method Number	AS ISO 9705:2003 Group 1 ASTM E84-17a Class A ISO 9705: 1993 Group 1
Indoor Air Quality	Low VOCs emission, formaldehyde and Phenol-free
Light Fastness	ISO 105-B02 1994, 6-7

Acoustic Performance

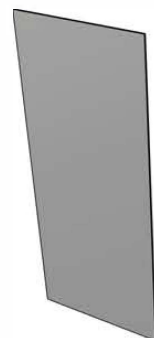
Sound Absorption	ISO 354-2006	NRC Up to 0.45
	Installed results dependent on sound frequencies and mounting method. NRC Rating	

Product Drawing

Elevation



Perspective



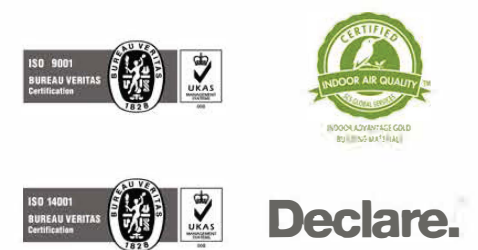
Guarantees

Lead Time	Ships in 4-6 weeks
Light Fastness Warranty	10 Years*
Customizable	Yes

* conditions apply

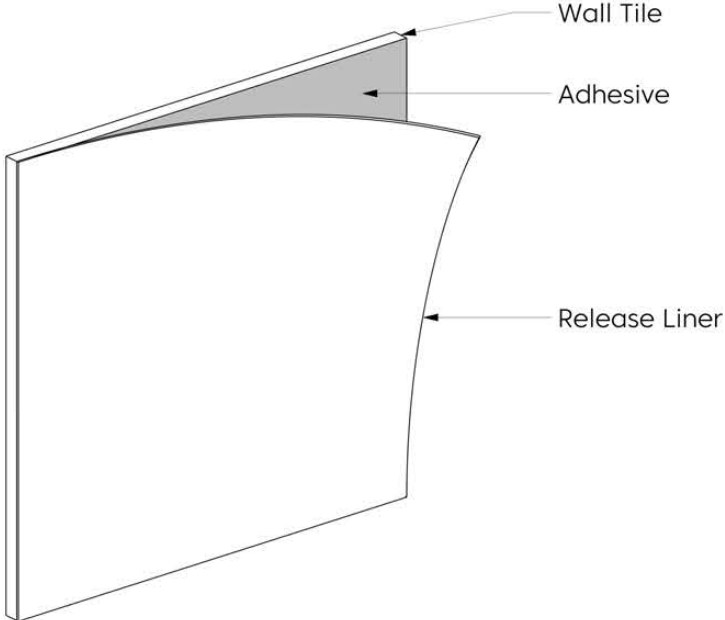
Environmental Attributes

- Declare Certification
- LCB Red List Free
- Phenol And Formaldehyde Free
- Low VOC
- CDPH Compliance
- Aligns With Building Standards

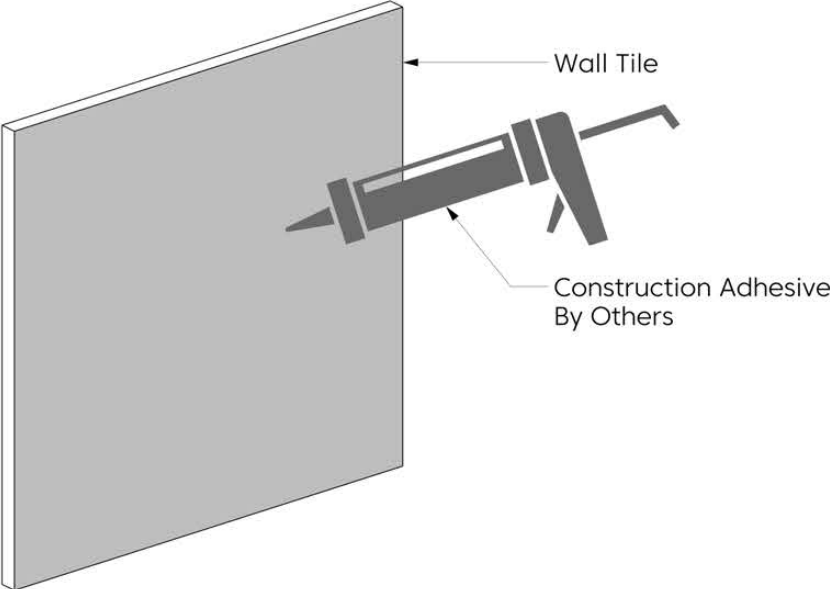


Mounting Methods

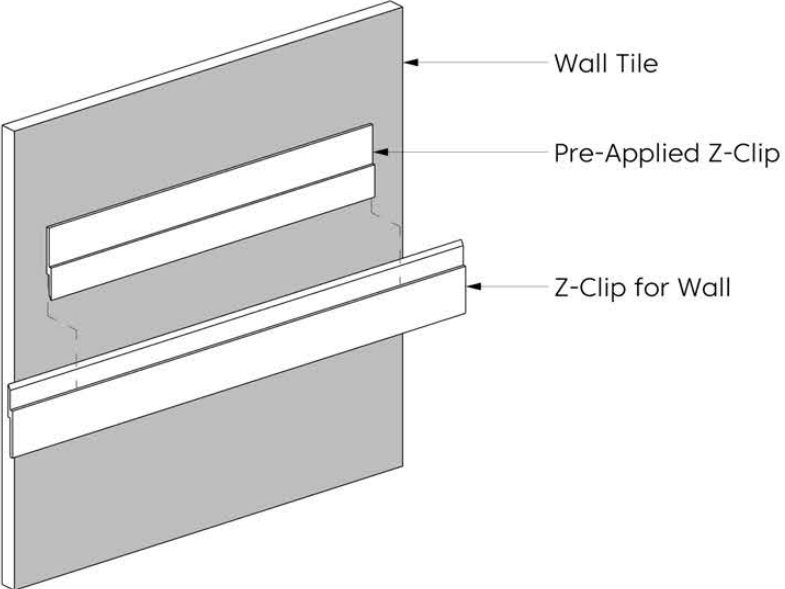
Adhesive Backing



Construction Adhesive



Z-Clip Mount



Colorways



Charcoal
CH01



Grey
GR02



Metal
ME03



Platinum
PL04